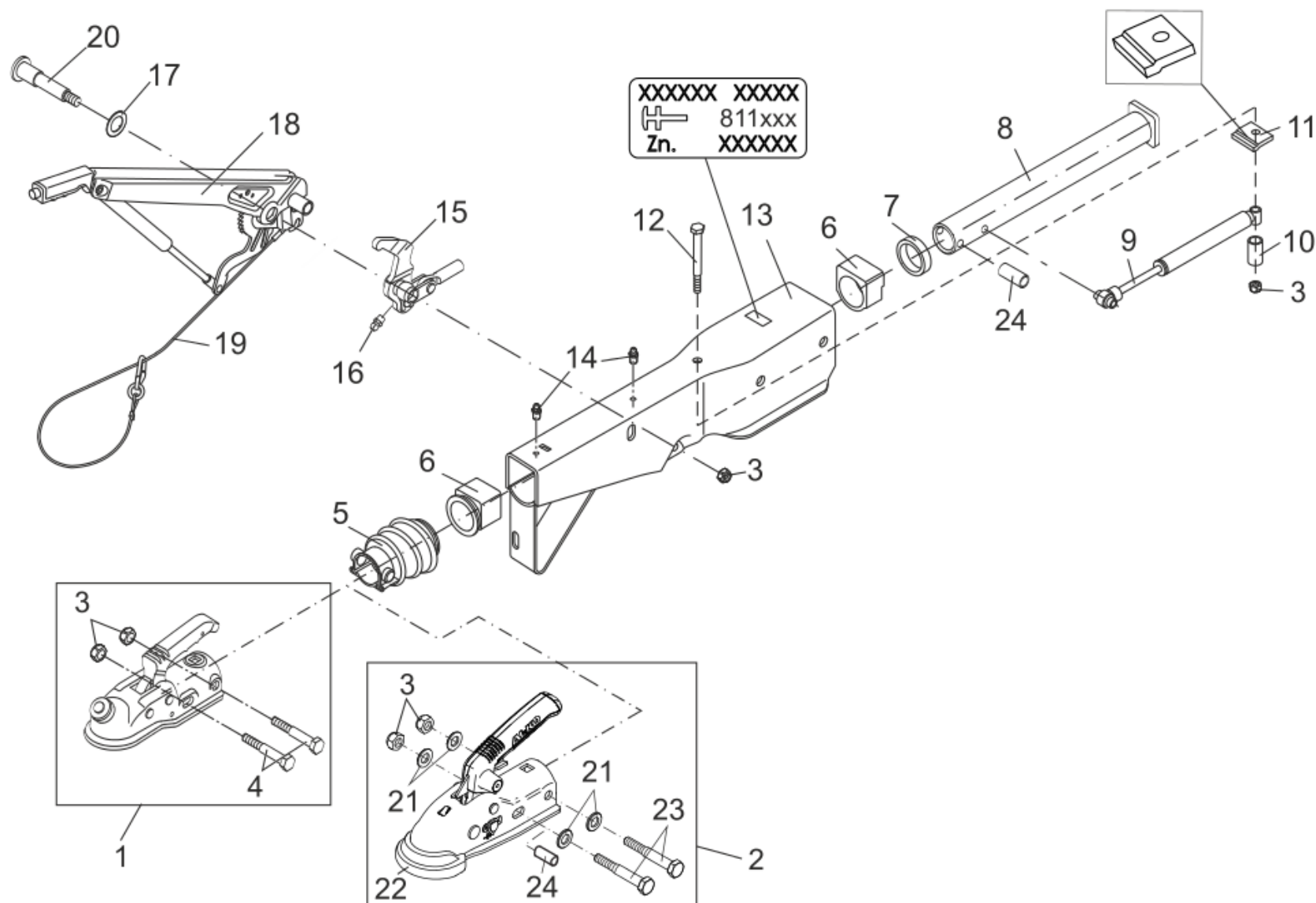


811187

Table of contents

Overrun device square 100 161S (811187)	3
---	---

Overrun device square 100 161S (811187)



Overrun device square 100 161S (811187)

Item no.	Article no.	Description	Quantity	Unit	Remark
1	1222737	Coupling AK160/B D50/45 with mounting parts	1	PC	
2	1730220	Coupling AK161 with mounting parts + SAFETY-Kit	1	PC	
3	705526	hexnut M12 DIN 985-10	1	PC	For safety reasons: Self locking nuts and screws with chemical self locking must be used once. After untighten always use a new part.
4	705427	Hexagon screw M12x75 DIN 931 8.8	1	PC	
5	366356	Bellows	1	PC	
6	1210131	Spare part kit bushing overrun	1	PC	Attention: After fitting the bearing bushes must be reamed to the particular draw bar diameter
7	371372	Damping rubber	1	PC	
8	571873	Draw tube welded 161S	1	PC	
9	370556	Shock absorber 161S	1	PC	
10	370580	Distance bush	1	PC	
11	581699	Stop plate	1	PC	
12	705421	Hexagon screw M12x100 DIN 931 8.8	1	PC	
13	ETK0002	Housing	1	PC	At the time of order see graved drawing-no.
14	2171710001	Conical grease nipple AS 8x1 DIN 71412	1	PC	

OD= overrun device, please specify the ETI- number when ordering

Overrun device square 100 161S (811187)

Item no.	Article no.	Description	Quantity	Unit	Remark
15	626632	Deflection lever cpl. M10 iH=90:27	1	PC	
15	626667	Deflection lever cpl. M12 iH=90:27	1	PC	
16	700203	Conical grease nipple AS 6x1 DIN 71412	1	PC	
17	370693	Washer Ø19x34x3	1	PC	
18	220096	Hand brake lever incl. brake away cable 161S-251S-161R	1	PC	Incl. gas spring, brake away cable and brake away ring
19	368605	Breakaway cable 950 mm length	1	PC	
20	581145	Bearing screw M12x100 Ø19	1	PC	
21	706459	Washer 13 DIN 433	1	PC	
22	693394	Soft-dock black	1	PC	
23	705422	Hexagon screw M12x80 DIN 931 8.8	1	PC	
24	370559	Distance bush	1	PC	